

NIDO

MACHINERIES
SUPPORT
RENTAL
AUTOMATION



**MATERIAL
HANDLING**

NIDO 2500 kgs HYDRAULIC PALLET TRUCK

MODEL: ND-2500-1150-550-85 PU



NIDO 2500 kgs HYDRAULIC PALLET TRUCK

MODEL: ND-2500-1150-550-85 PU



Integrated Pump with hydraulic pump, entry/exit rollers provide smooth pallet access & increase productivity.



End cap connected with the lifting cylinder, shorter & stronger



Ergonomic handle to provide comfortable & efficient operation



Solid frame & reinforced fork ensure high reliability



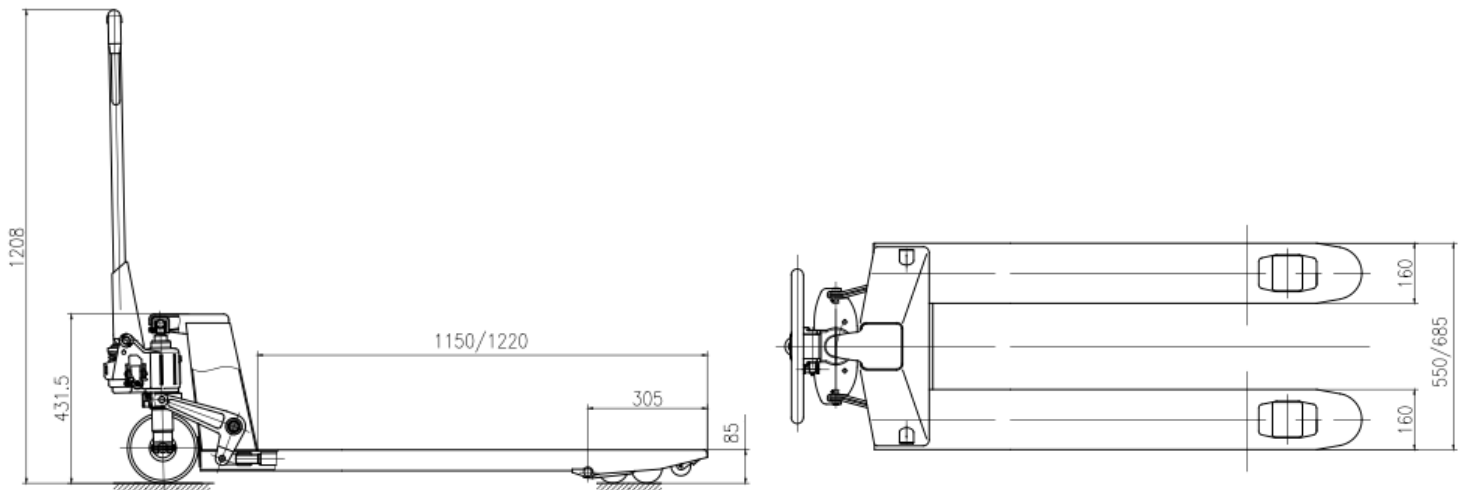
Standard nylon wheel, optional PU & cast iron wheels are available



More stable & stronger chassis design; enclosed the fork root by welding

NIDO hydraulic Pallet truck with 2500 kg capacity, offers users with a simple, economic & reliable handling equipment. Hydraulic pump passed the strict test, convenient design for repair or maintenance. Durable chassis with high strength.

Technical Specification



Model No.		ND-2500-1150-550-85 PU
Capacity	kg	2500
Pump Type		Integrated
Wheel Type (Drive/Load)		PU
Size of Steering Wheel (Single Wheel)	mm	Ø180*50
Size of Loading Wheel (Single Wheel)	mm	Ø80*93
Size of Loading Wheel (Double Wheel)	mm	Ø80*70
Lifting Height	mm	115
Max. Fork Lifting Height	mm	200
Lowered Height of Fork	mm	85
Fork Outside Distance	mm	550
Fork Length	mm	1150
Fork Width	mm	160
Steel Thickness (After Painting)	mm	3
Weight	kg	69

Customization Available



Single Fork Hydraulic Pallet Truck



Customized Fork Length Hydraulic Pallet Truck



Reel Type Hydraulic Pallet Truck

PACK | LIFT | MOVE | CLEAN | AUTOMATE

NIDO Machineries Pvt. Ltd.
Corporate Office: Unit 311,
Wadala Udyog Bhavan,
Naigaon Cross Rd Wadala,
Mumbai 400031, India

Warehouse & Service Centre:
Bldg. A16, Unit 15, Harihar
Corporation, Mankoli Naka
Village Dapoda, Bhiwandi
Thane 421302, India

M: +91 81081 15886
T: +91 22 4225 6225
E: sales@nidoworld.com
CIN: U29253MH2009PTC198182

NIDO | MACHINERIES
SUPPORT
RENTAL
AUTOMATION

nidoworld.com

